

LAZER

HIGH PERFORMANCE LIGHTING

T24 Evolution



The ultimate in off-road lighting for many years, the T24 Evolution represents the re-engineering and re-design of a lamp which needs to be seen to fully appreciate the incredible performance and build quality. At 1m in length, the T24 is often considered the perfect fit mounted across stainless steel bars, off roof racks, or bespoke roof mounts. Whatever the mounting location, the T24 delivers: 24,816 lumen and useable light to over 1.3km (0.25 lux).



HIGH PERFORMANCE LED DRIVING LAMPS

LAZER

HIGH PERFORMANCE LIGHTING

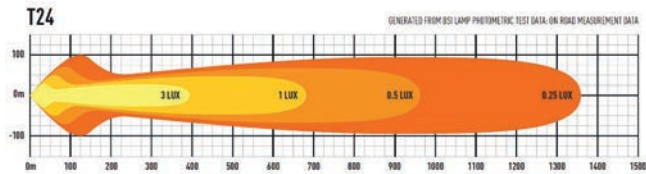
T24 EVOLUTION



- 24x high density 11W LEDs (premium 'bin')
- Seamless, low profile design facilitates installation
- Dynamic drive modulation optimises light output to maximise LED lifetime
- Ultra-reflective optics deliver 'Drive' beam pattern
- E-coat pre-treatment provides maximum corrosion resistance
- Lifetime guarantee on the 'Unbreakable' polycarbonate lens

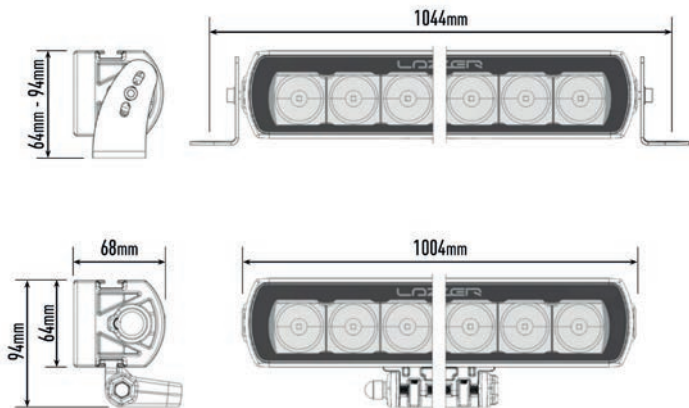
TECHNICAL SPECIFICATIONS

E-MARK REF	N/A
VOLTAGE RANGE	9V - 32V
RAW LUMENS	24816
BEAM PATTERN	Drive
BEAM DISTANCE (0.25LX)	1361m
# HIGH POWER LEDS	24
POWER CONSUMPTION	262 Watts
CURRENT DRAW [†]	18.2 Amps
LED LIFE	50,000 Hrs*
WEIGHT	3084g



* LED Manufacturers Specifications †At 14.4 Volts

MOUNTING OPTIONS:



LAZER LAMPS LTD

Units 1+2, Harlow Mill Business Centre, Riverway, Harlow, Essex. CM20 2FD. UK

Tel: +44(0)1992 677374

Email: sales@lazerlamps.com

www.lazerlamps.com

LAZER

HIGH PERFORMANCE LIGHTING

