

LAZER

H I G H P E R F O R M A N C E L I G H T I N G

TRIPLE-R 4 ('750')



Our most popular product in the Triple-R range, the 4 (or '750') Standard offers incredible performance from a compact and great value unit. Utilising the same Boost optics as the other lights in our Triple-R range, this unit will outperform competitor products while it's unique styling and E-mark approval mean it is perfect for Road, Rally and Race applications.



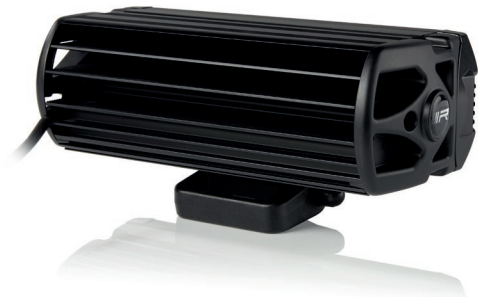
ULTRA LONG-RANGE LED DRIVING LAMPS

TRIPLE-R

TRIPLE-R 4 ('750') STANDARD



- Ultra long-range optics
- High output LED's from world leader in LED technology
- CAE optimised heatsink
- Electronic thermal management
- 'Unbreakable' polycarbonate lens
- Innovative design and unique styling



ALSO AVAILABLE IN TITANIUM

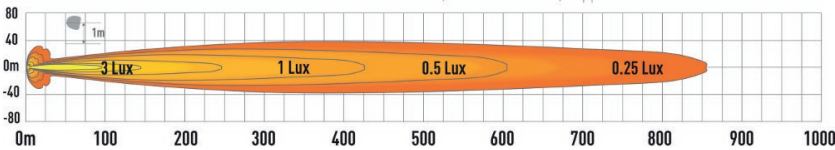
TECHNICAL SPECIFICATIONS



E-MARK REF	27.5
VOLTAGE RANGE	9V - 32V
RAW LUMENS	4100
BEAM PATTERN	Spot
OPTICAL EFFICIENCY	92%
BEAM DISTANCE (0.25LX)	865m
# HIGH POWER LEDs	4
POWER CONSUMPTION	45 Watts
CURRENT DRAW [†]	3.1 Amps
LED LIFE	50,000 Hrs*
WEIGHT	7800g

TRIPLE-R 750

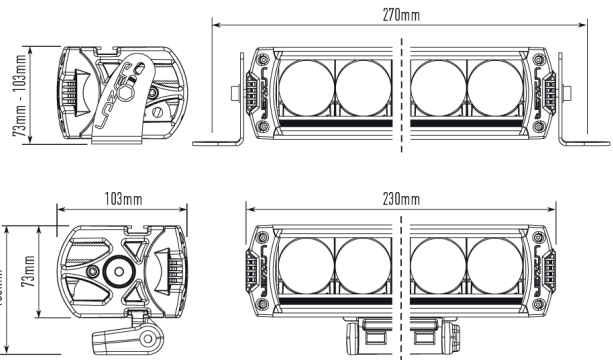
Generated from BSI (British Standard Institute) lamp photometric test data: On Road measurement data



MOUNTING OPTIONS:



(Side Bracket kit sold separately)



* LED Manufacturers Specifications †At 14.4 Volts

LAZER LAMPS LTD

Units 1+2, Harlow Mill Business Centre, Riverway, Harlow, Essex. CM20 2FD. UK

Tel: +44(0)1992 677374

Email: sales@lazerlamps.com

www.lazerlamps.com

LAZER

HIGH PERFORMANCE LIGHTING

