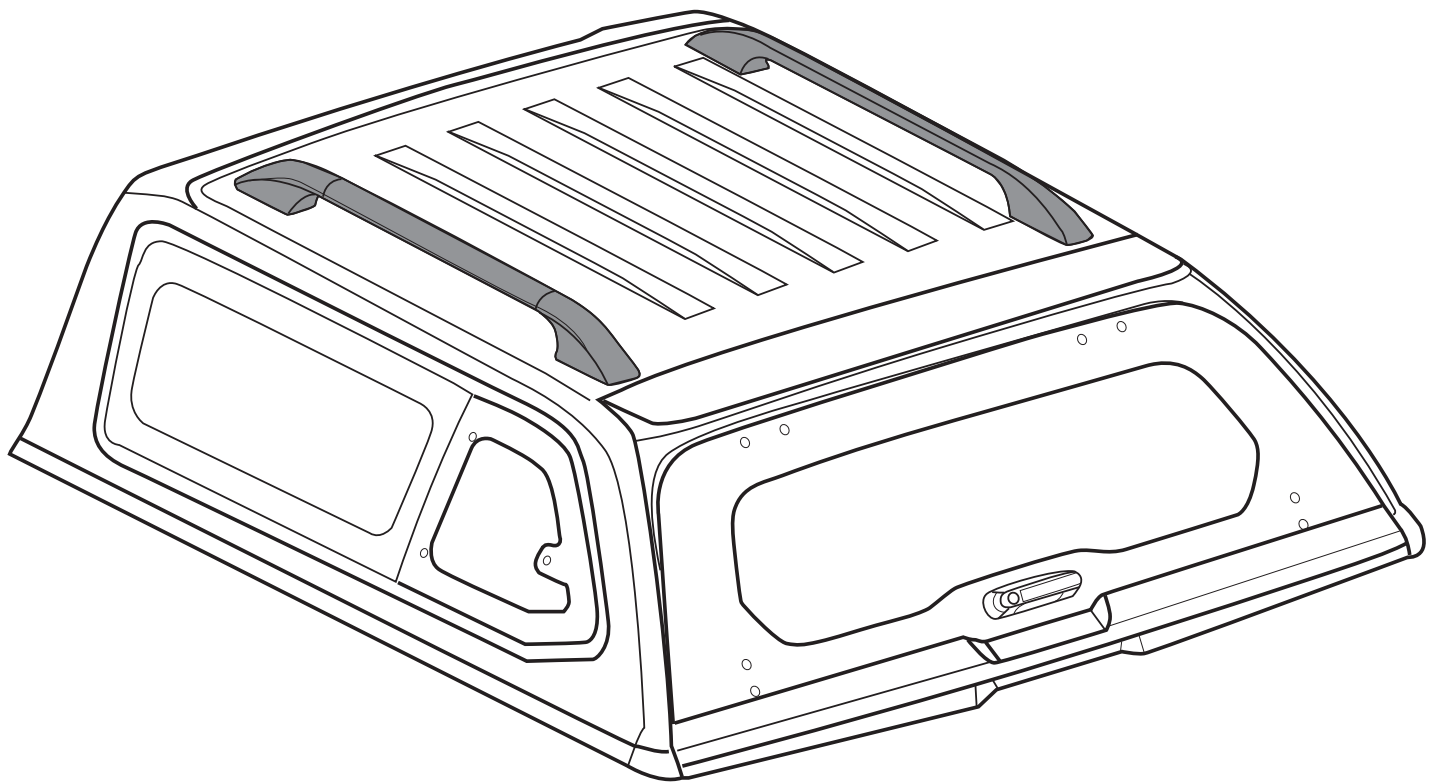
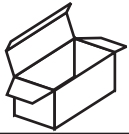


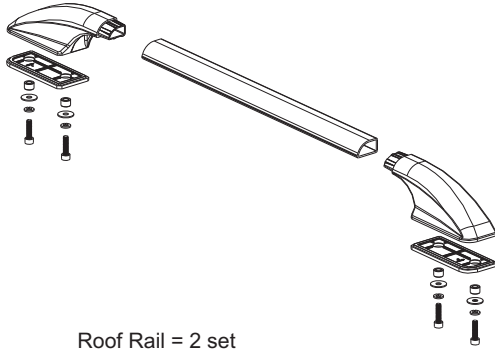
# **AEROKLAS**

## **INSTALLATION MANUAL CANOPY ROOF RAILS ONLY**

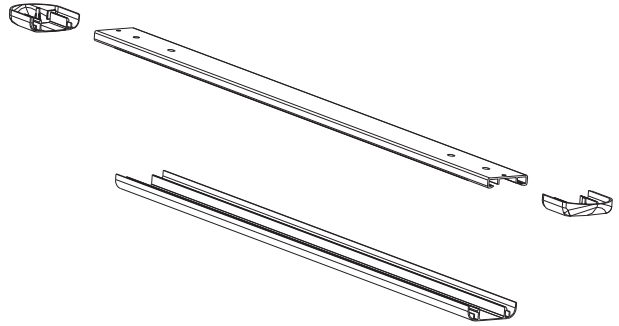




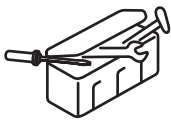
## COMPONENT PART



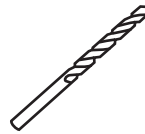
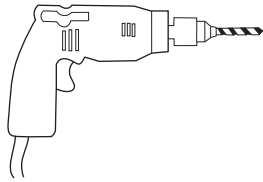
Roof Rail = 2 set



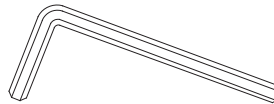
Structure Bar = 2 set  
**(SOLD SEPARATELY)**



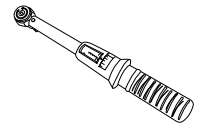
## TOOLS



Drill  $\varnothing$  15 mm.

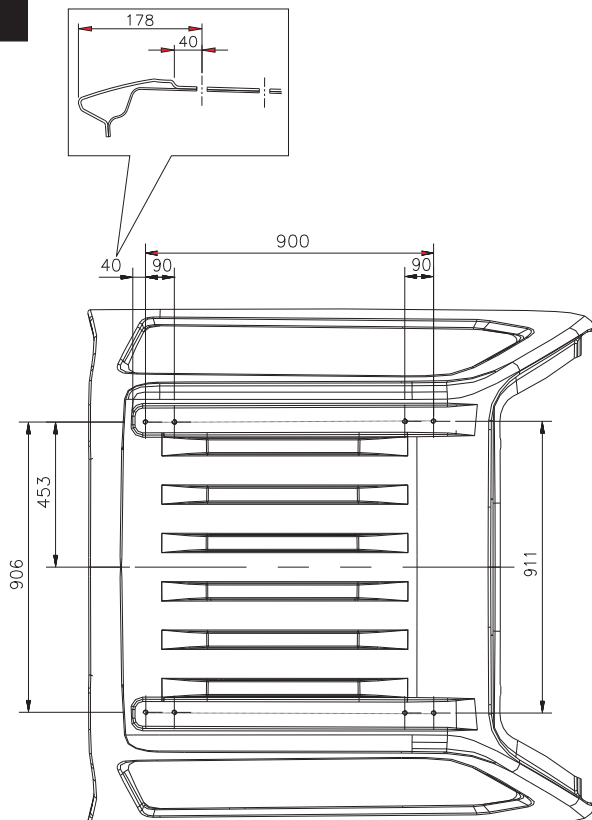


No.6 mm.

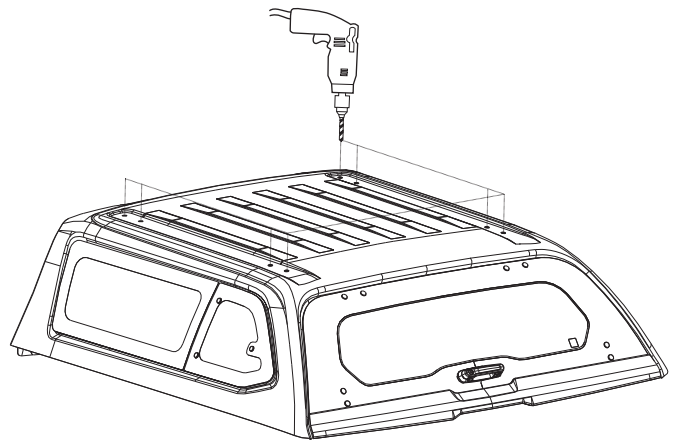


Torque Wrench

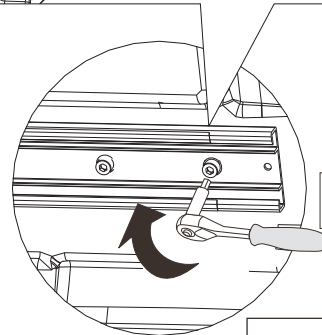
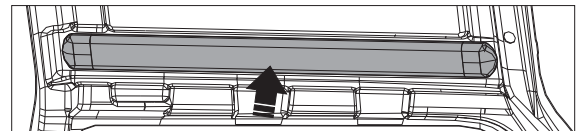
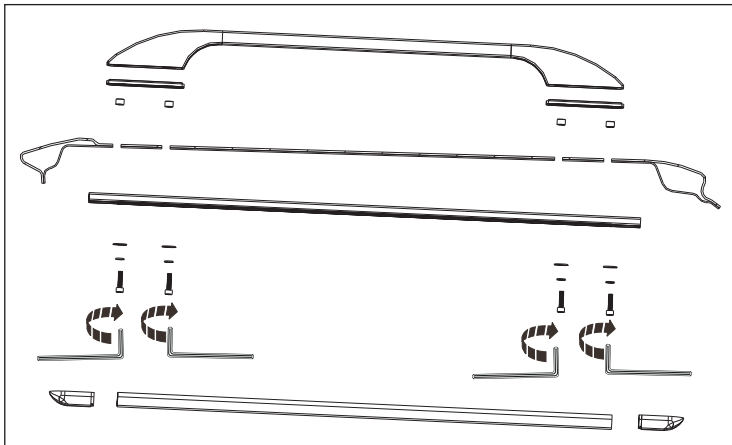
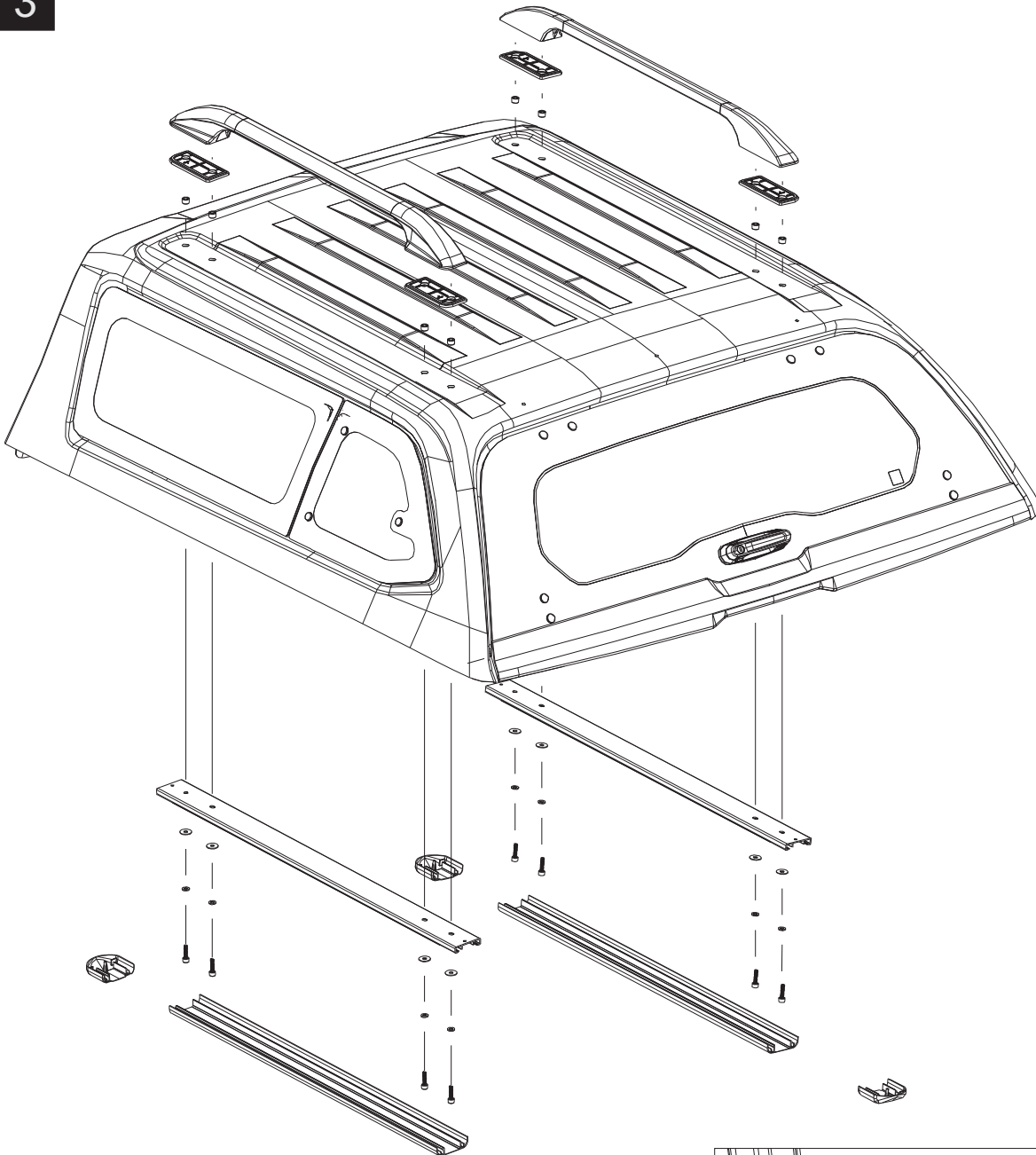
1



2



3



Torque 12 Nm.

