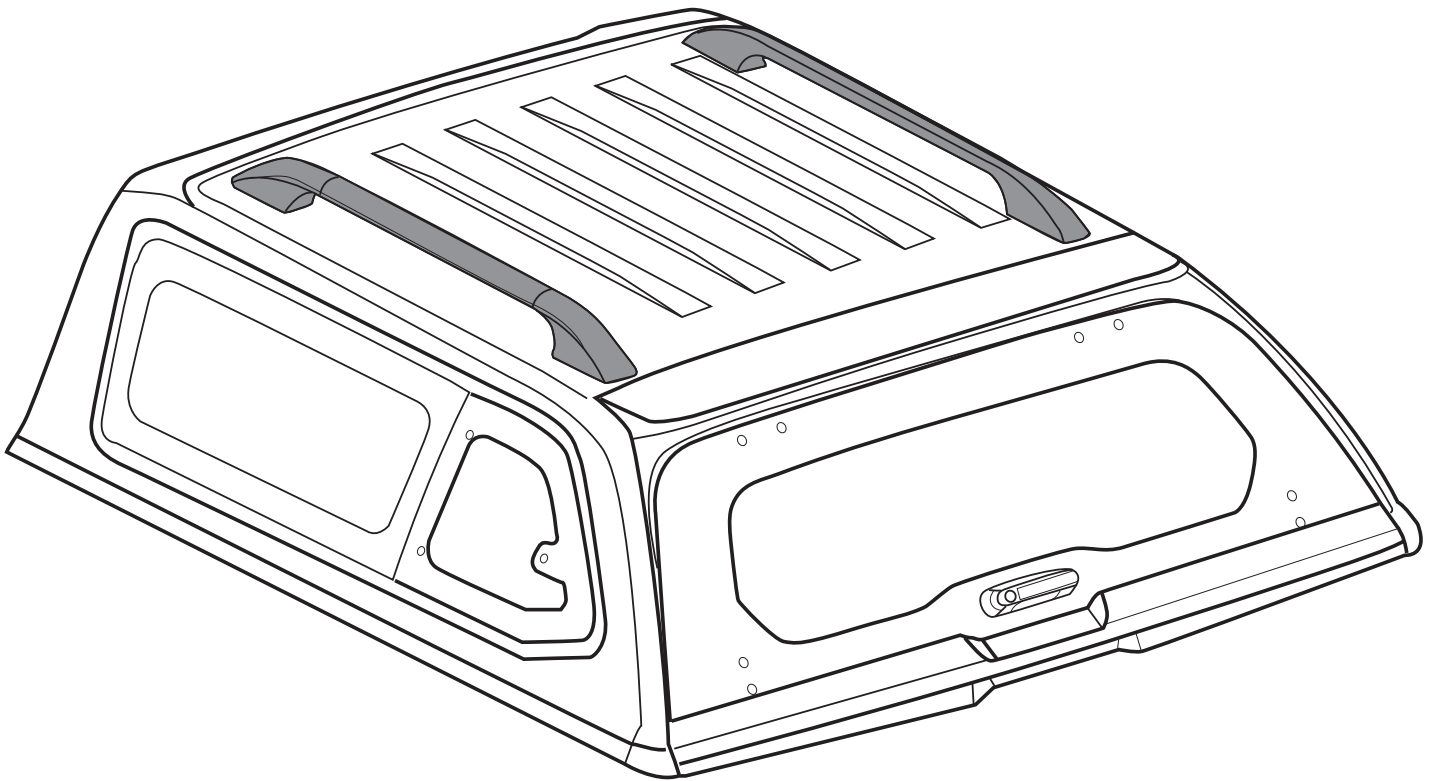
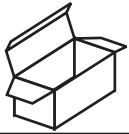


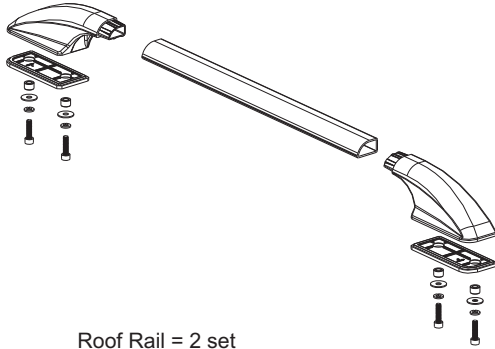
AEROKLAS

INSTALLATION MANUAL CANOPY ROOF RAILS

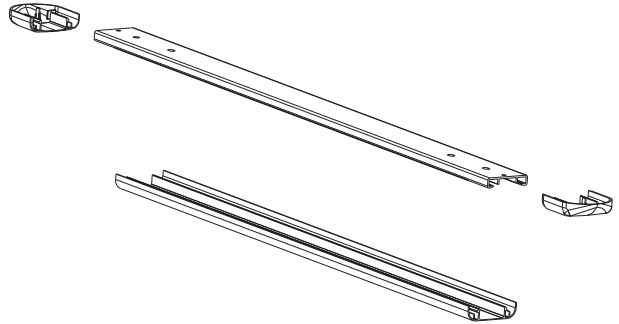




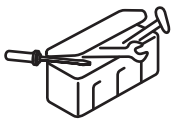
COMPONENT PART



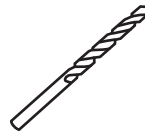
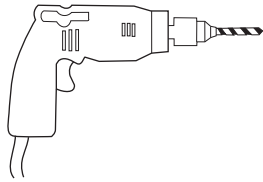
Roof Rail = 2 set



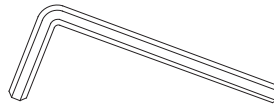
Structure Bar = 2 set



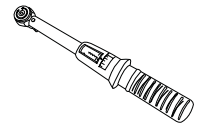
TOOLS



Drill \varnothing 15 mm.

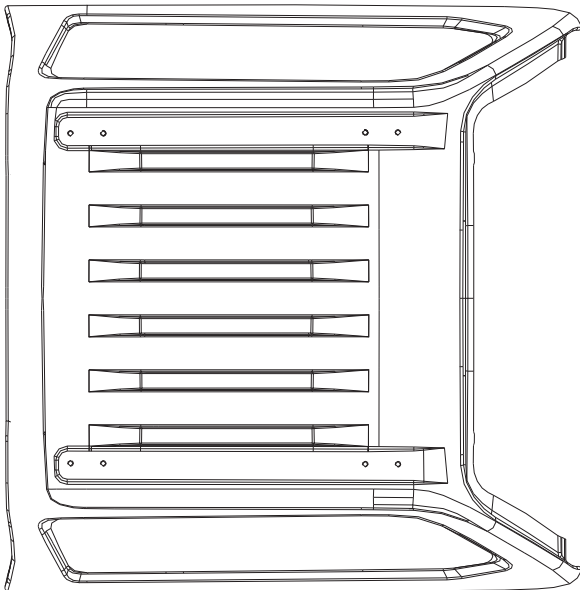


No.6 mm.

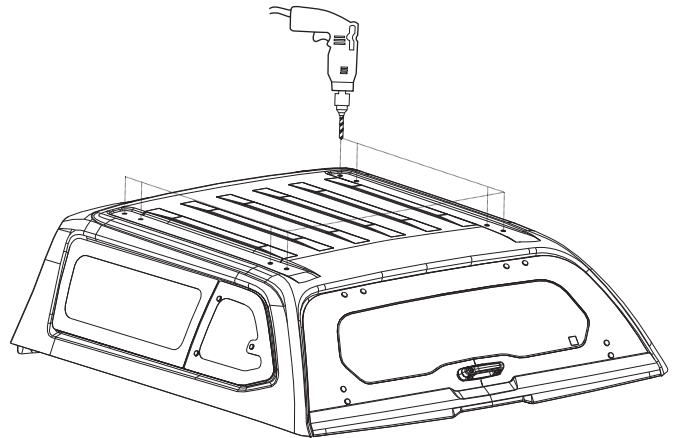


Torque Wrench

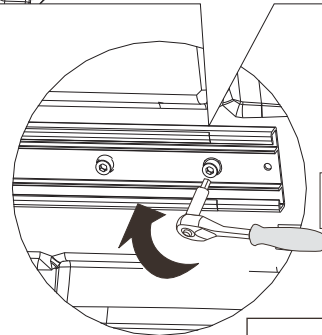
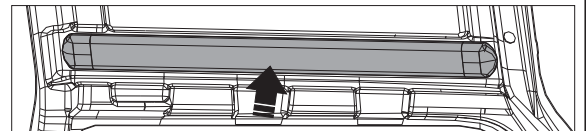
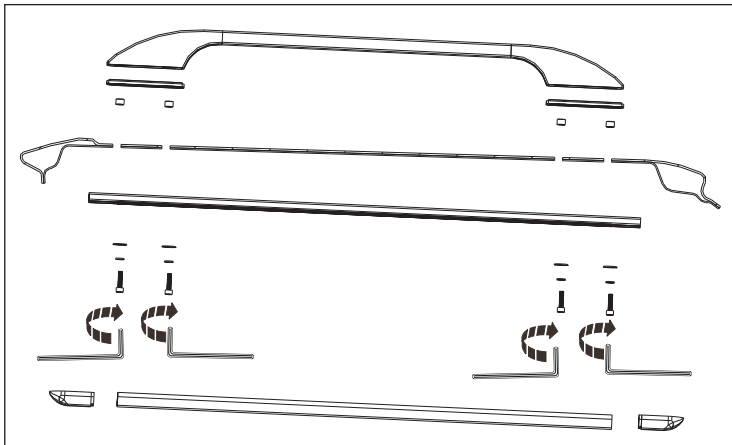
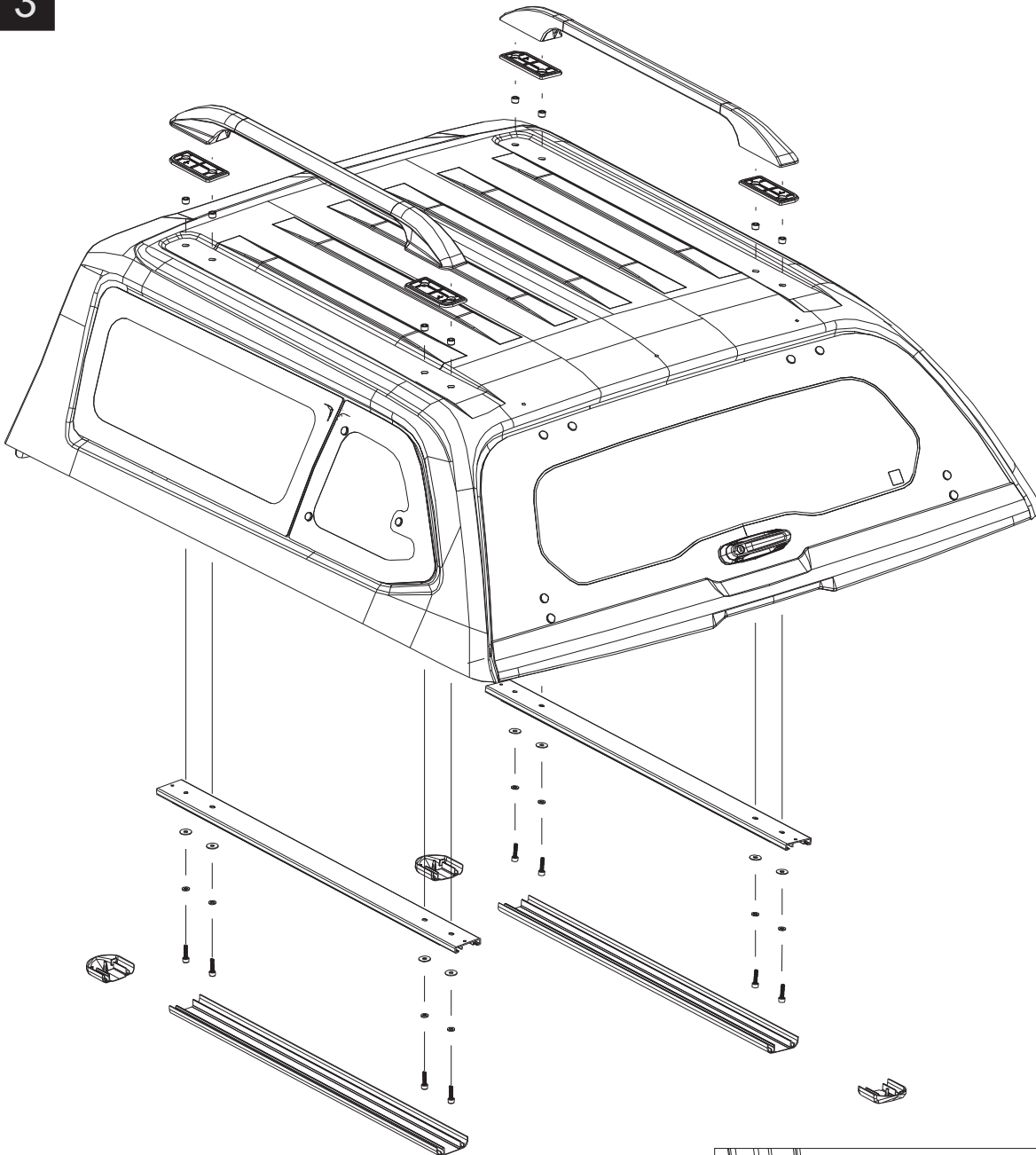
1



2



3



Torque 12 Nm.

