



# STEELER

**SOKÓŁKA**

***www.steeler.pl***

## NISSAN QASHQAI



### FITTING INSTRUCTION

(Extensive front bullbar)

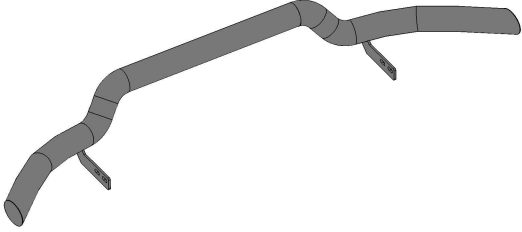
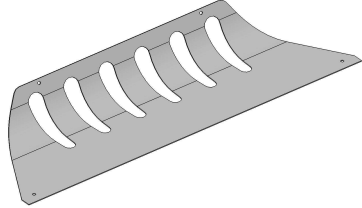
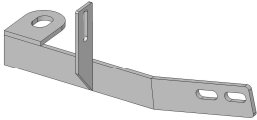
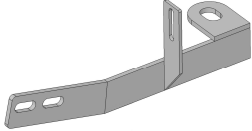
QUAN-R0070-03

QUAN-R0070-04



Bullbar with homologation „e”

## Specification of full assembly:

<p><b>1. Bullbar (1 pc.)</b></p> 	<p><b>2. Lower metal plate (1 pc.)</b></p> 
<p><b>3. Lower left attachment (1 pc.)</b></p> 	<p><b>4. Lower right attachment (1 pc.)</b></p> 

### Connecting components:

QUAN-R0070-03 (standard)

**Screws:**

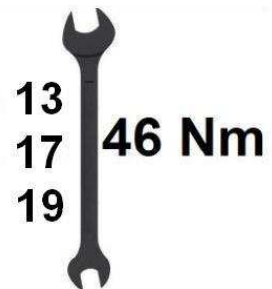
M10x25- 4 pcs.

**Washers:**

Ø11- 8 pcs. (large washer)

**Nuts:**

M10- 4 pcs.



QUAN-R0070-04 (lower metal plate)

**Screws:**

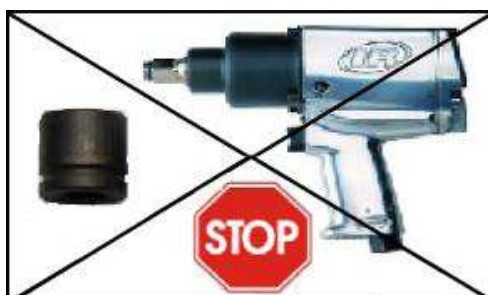
M6x25- 4 pcs.  
M10x25- 4 pcs.

**Washers:**

Ø6,5- 8 pcs.  
Ø11- 8 pcs. (large washer)

**Nuts:**

M6- 4 pcs.  
M10- 4 pcs.



Fitting time

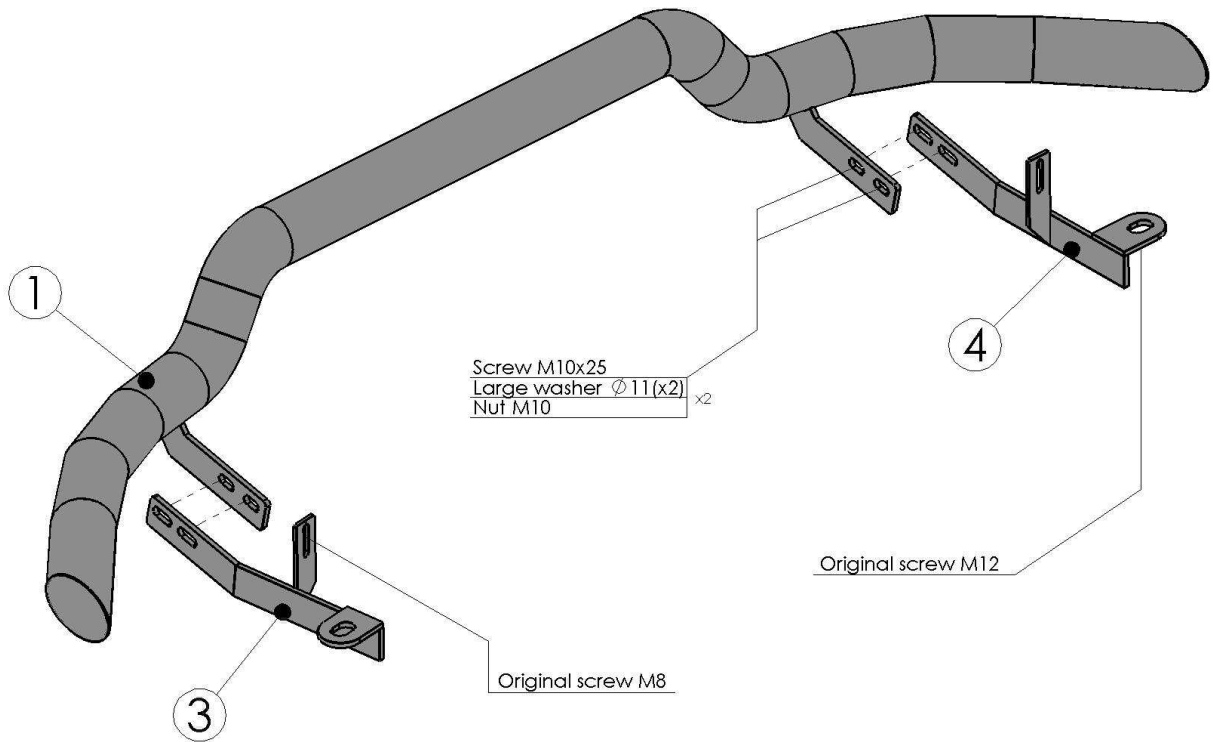


**1 h**

**ATTENTION: Foil remove after fitting !**

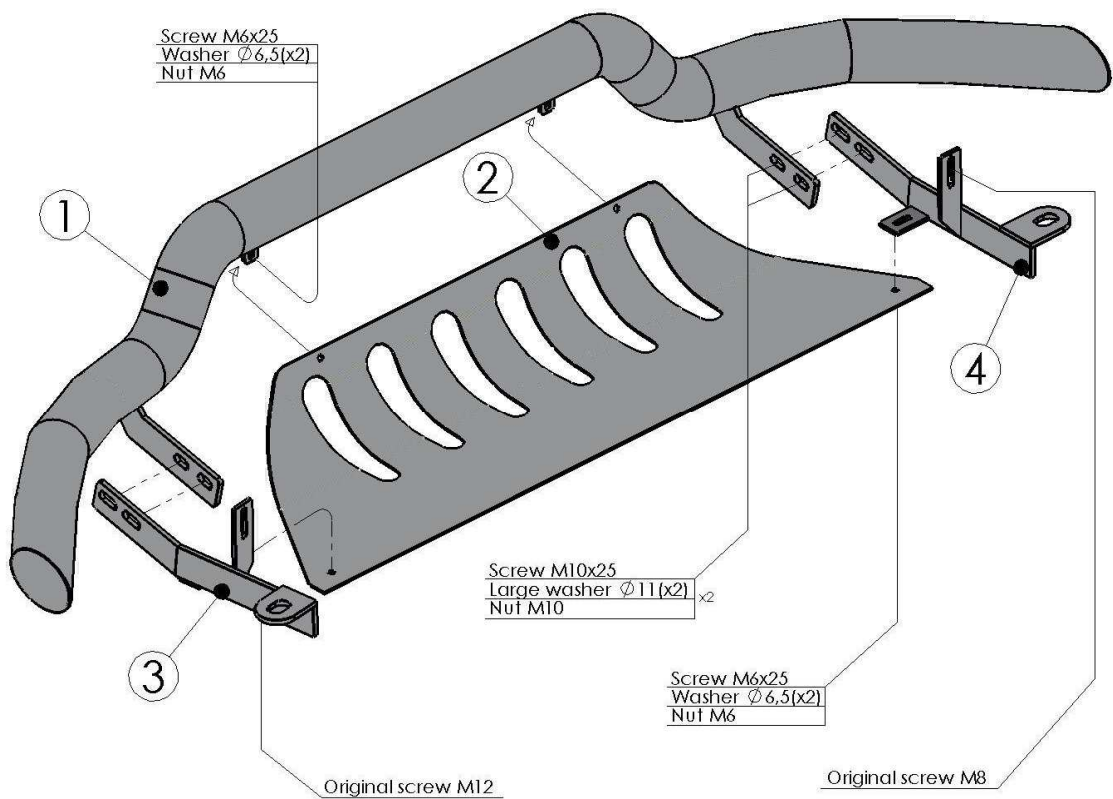
## Bullbar fitting (standard):

QUAN-R0070-03

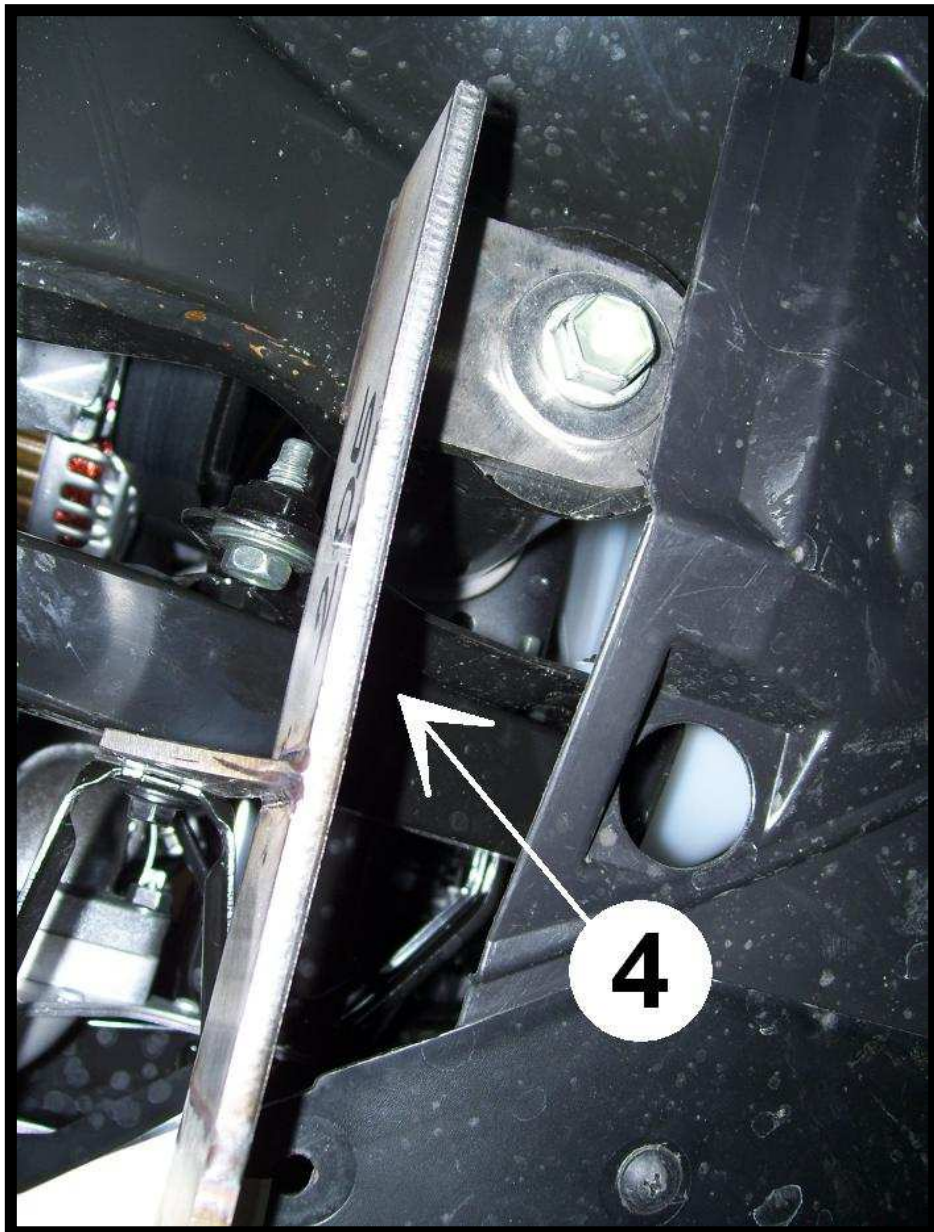


## Bullbar fitting (lower metal plate):

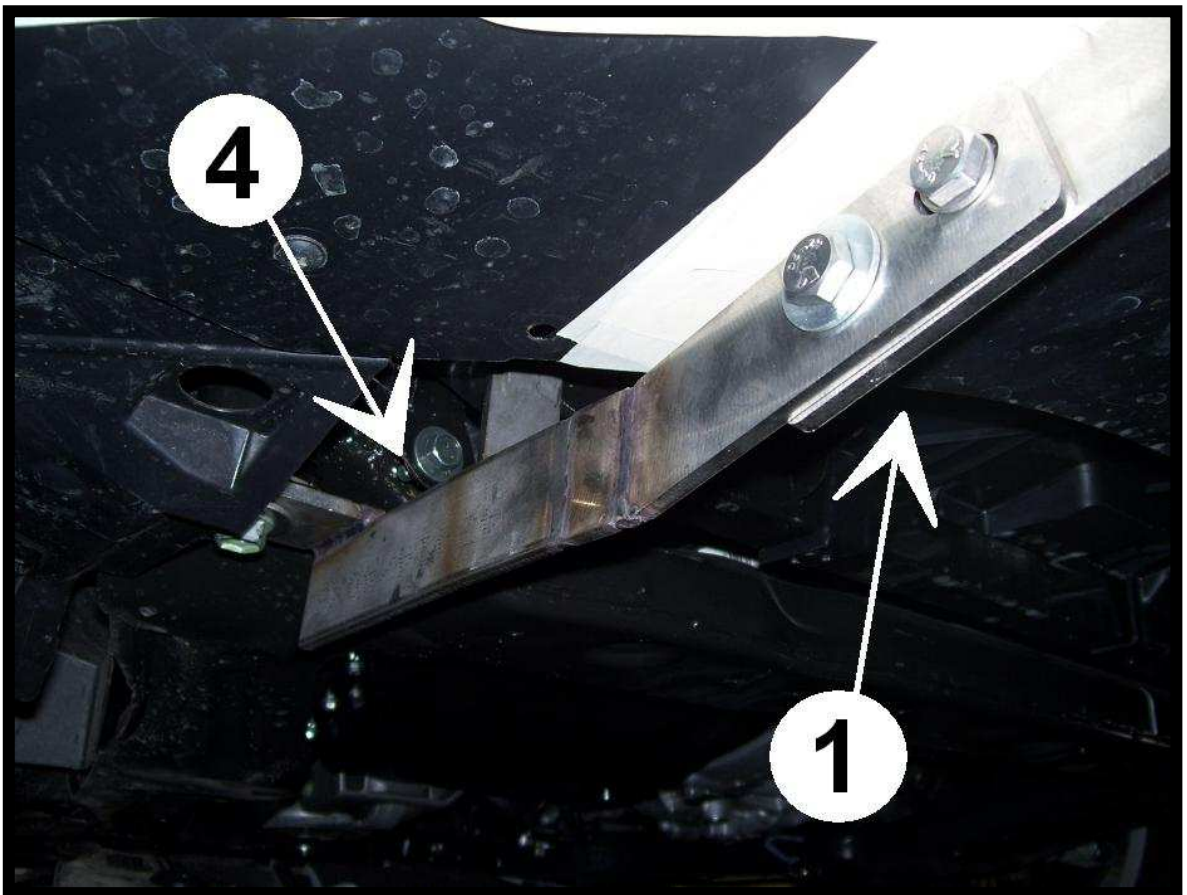
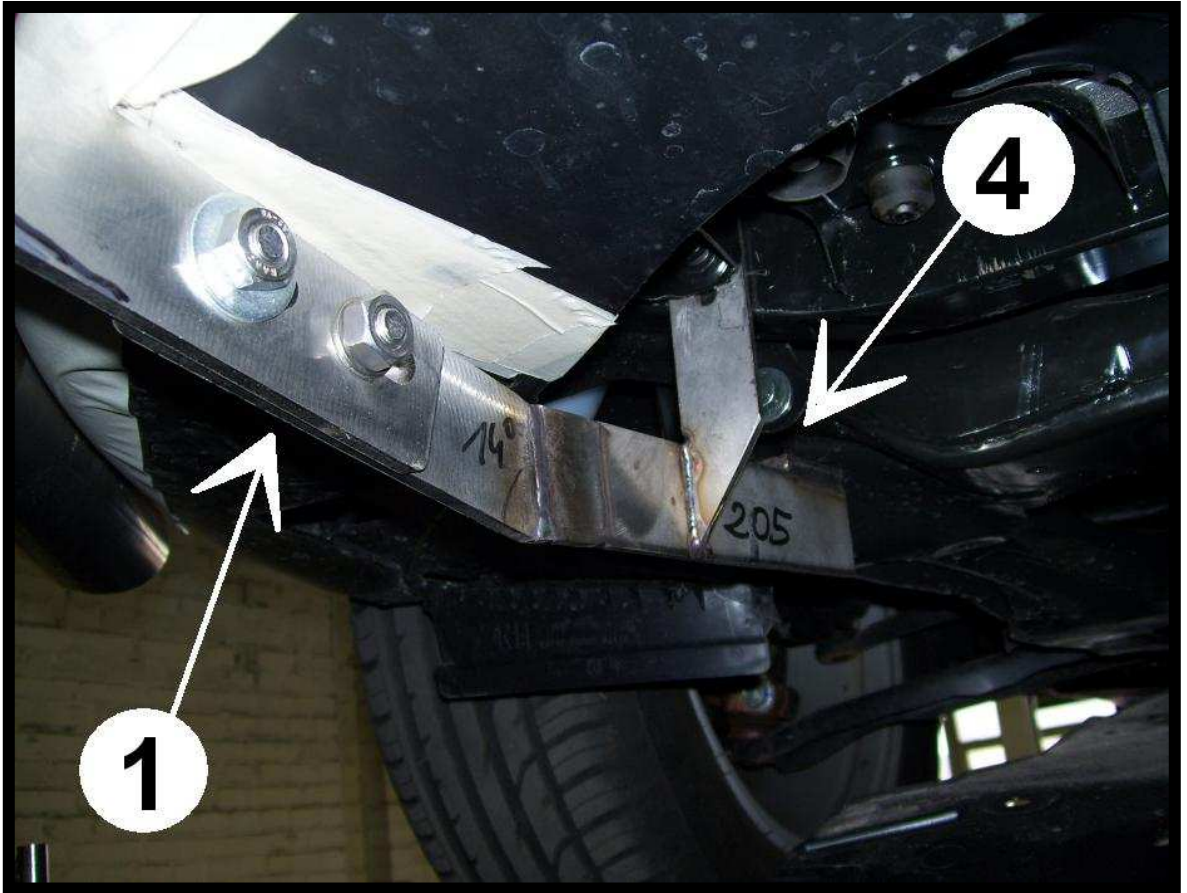
QUAN-R0070-04



*Right attachments:*








*Left attachments:*



13  
17  
19



46 Nm

