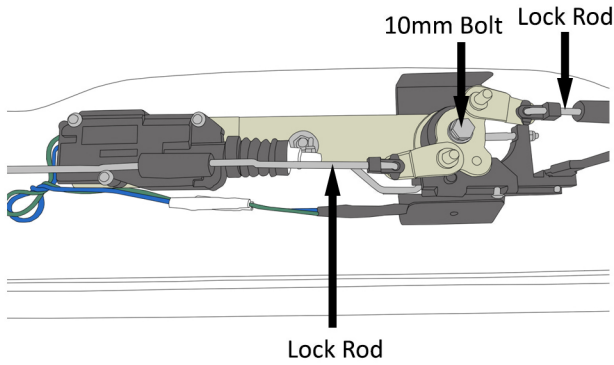
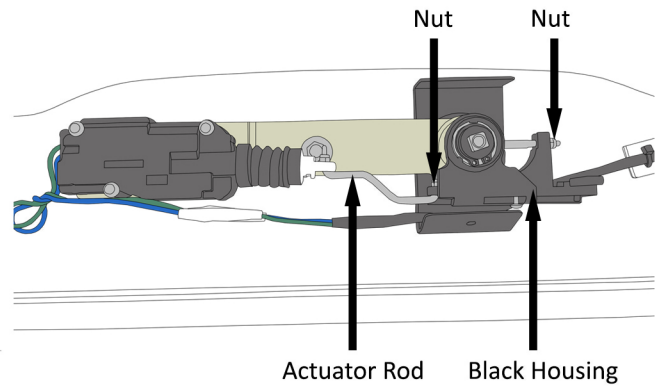


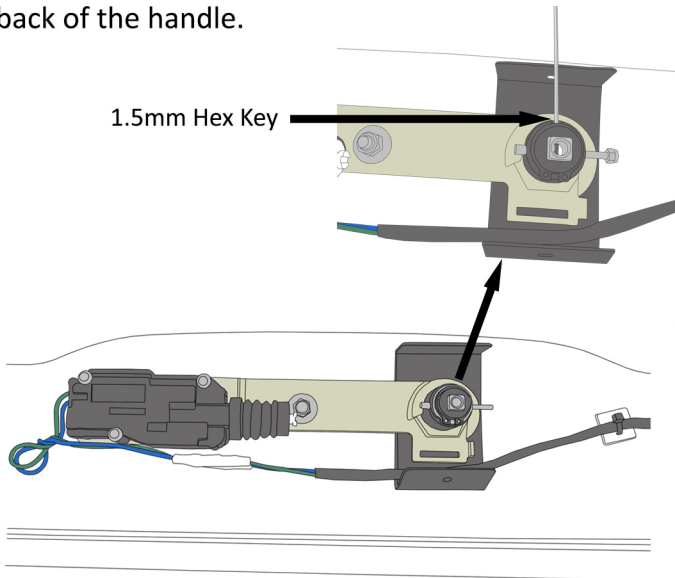
1. Remove the old handle from the canopy tailage. This diagram shows the new style handle fitted to a tailgate so removal of the end latch locking rods may not be required.



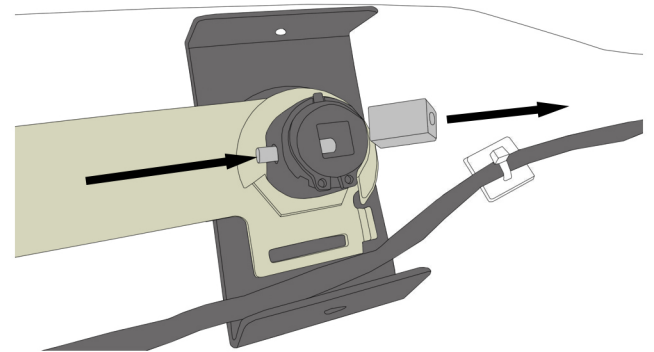
2. Take the replacement handle and remove the end latch locking rods from the mechanism. Undo the 10mm bolt in the centre as arrowed in the diagram to the left.



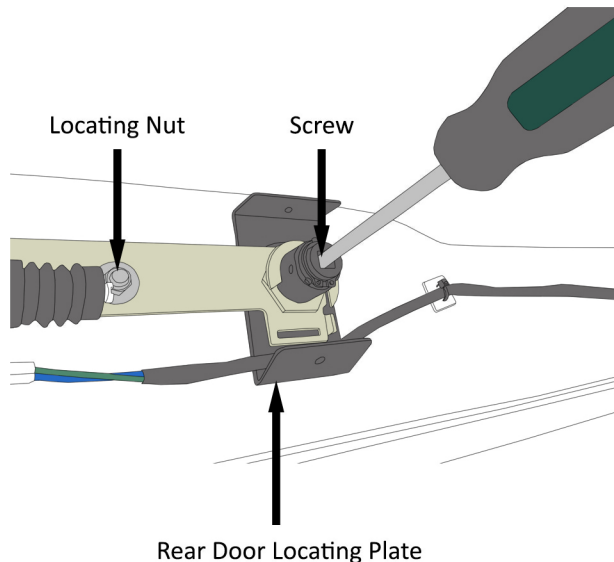
3. Remove the nuts on each end of the actuator rod and take away the rod. Remove the nut on the pin protruding from the lock barrel area on the handle before removing the black housing on the back of the handle.



4. Using a 1.5mm hex key undo the grub screw as shown in the diagram to the left.



5. Once the grub screw has been removed take the insert from the centre of the barrel and also remove the pin through the centre of the barrel.



6. Using a phillips head screw driver remove the screw in the centre of the barrel. Remove the remaining components from the barrel including the large nut. Undo the locating nut and take the backing plate with central locking actuator away. You will now be left with a stripped down handle.

7. Place the handle through the rear door locating plate and reverse the above process to re-assemble the handle. Please note that older canopies will not have a slot for the internal release knob. The release knob can either be removed from the handle or a hole can be made in the plastic mechanism cover to accommodate the knob.

**Approximate Fitting Time**  
**30 Minutes**