

INSTALLATION INSTRUCTION

RUNNING BOARD BRACKET

NOTICE:

- ≡ The figures here are for reference only and may have differences with the actual product you received, however they share the same assembly way.
- ≡ Please read the instruction completely for easy installation, which will also help you to avoid scratches or other potential damages to your appealing car.
- ≡ Please periodically check and retighten all the hardware and clean the investment for a refresh look.

PARTS LIST:

No.	Name	Qty	Remarks	No.	Name	Qty	Remarks
①	Running board	2		④	Hex bolt	12	M10x30
②	Front bracket	2		⑤	Spring washer	12	D10
③	Middle&Rear bracket	4		⑥	Enlarge washer	12	D10

ASSEMBLY PROCEDURE:

- Step 1: Check all the contents are available in accordance with the above list.
- Step 2: Install the bracket in vehicle bottom using hardware④ ⑤ ⑥ as Fig.1
- Step 3: Install the running board on brackets as Fig.2 showing.
- Step 4: Line up the running board with the brackets, finally follow up with tightening the bolts.
- Step 5: Installation is finished.

INSTALLATION INSTRUCTION RUNNING BOARD BRACKET

FIG.1

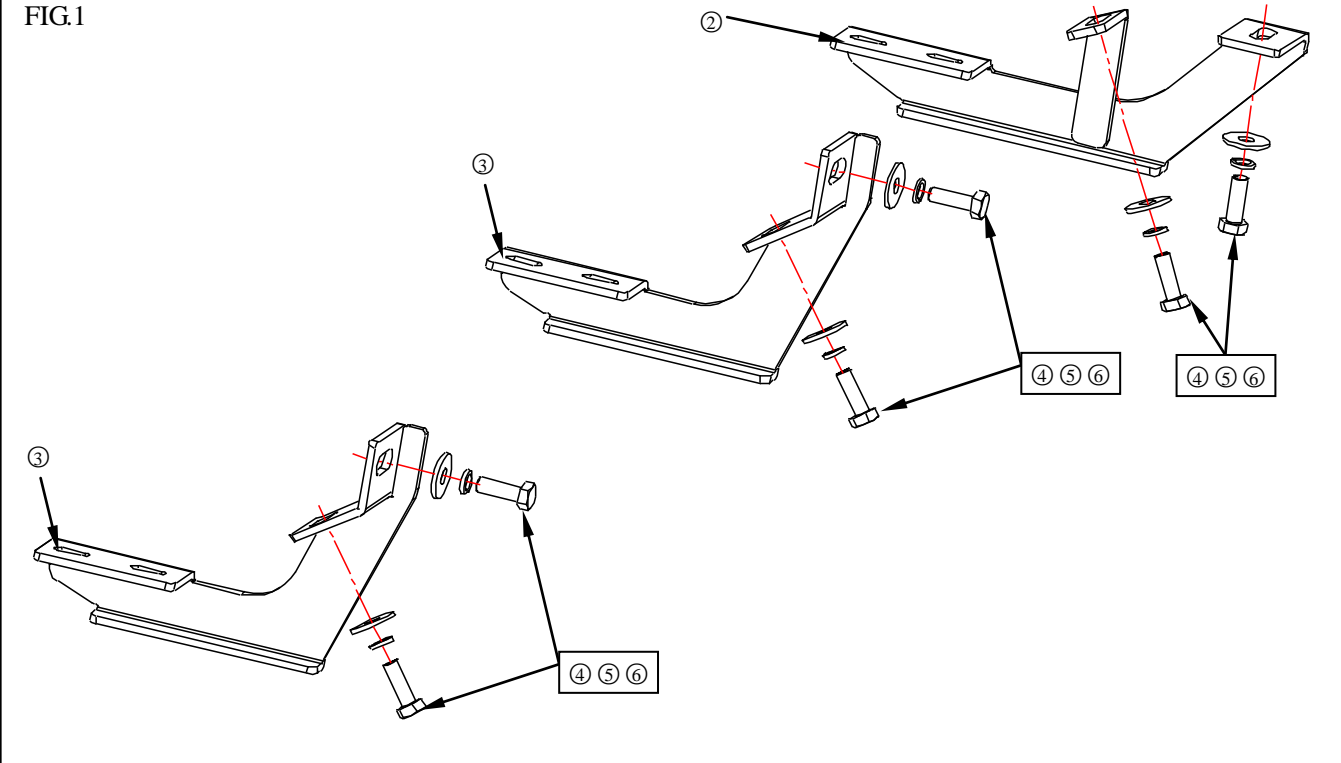
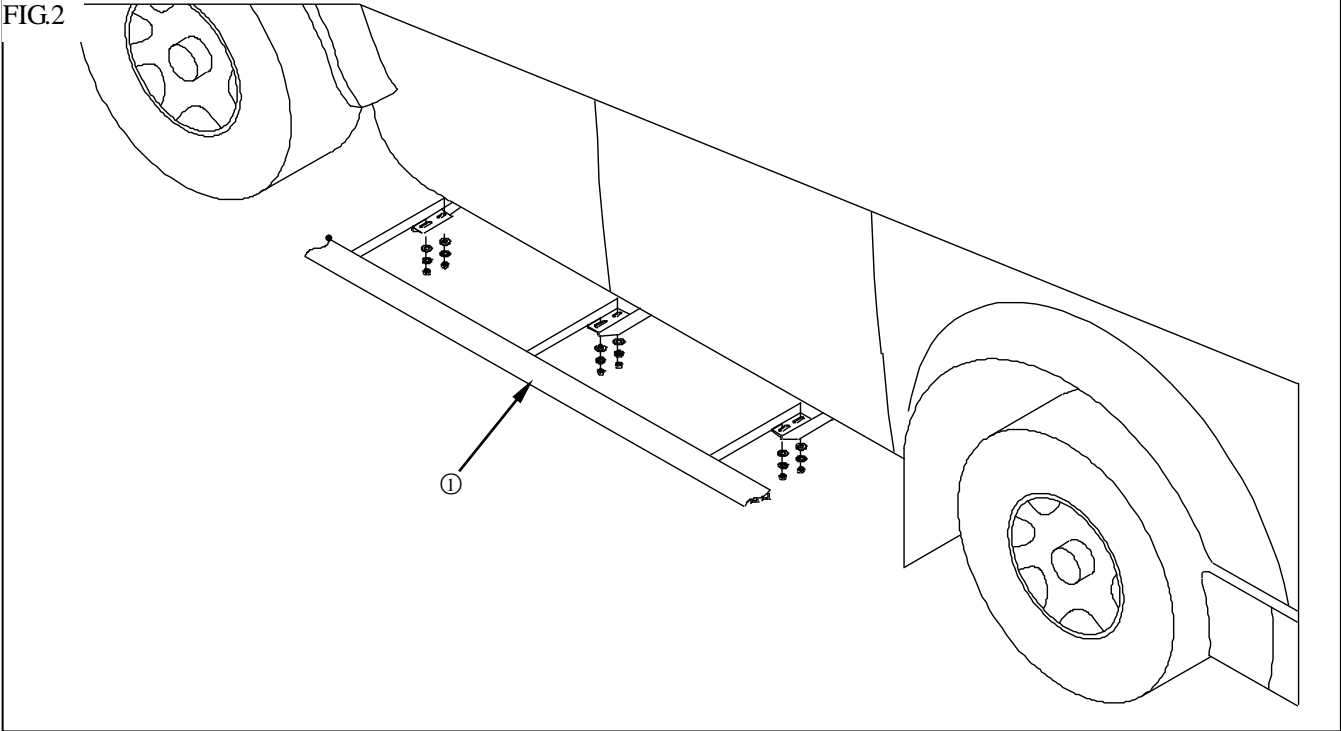


FIG.2



NOTE: Any damages and losses caused by improper installation and application, goes beyond our quality warranty.